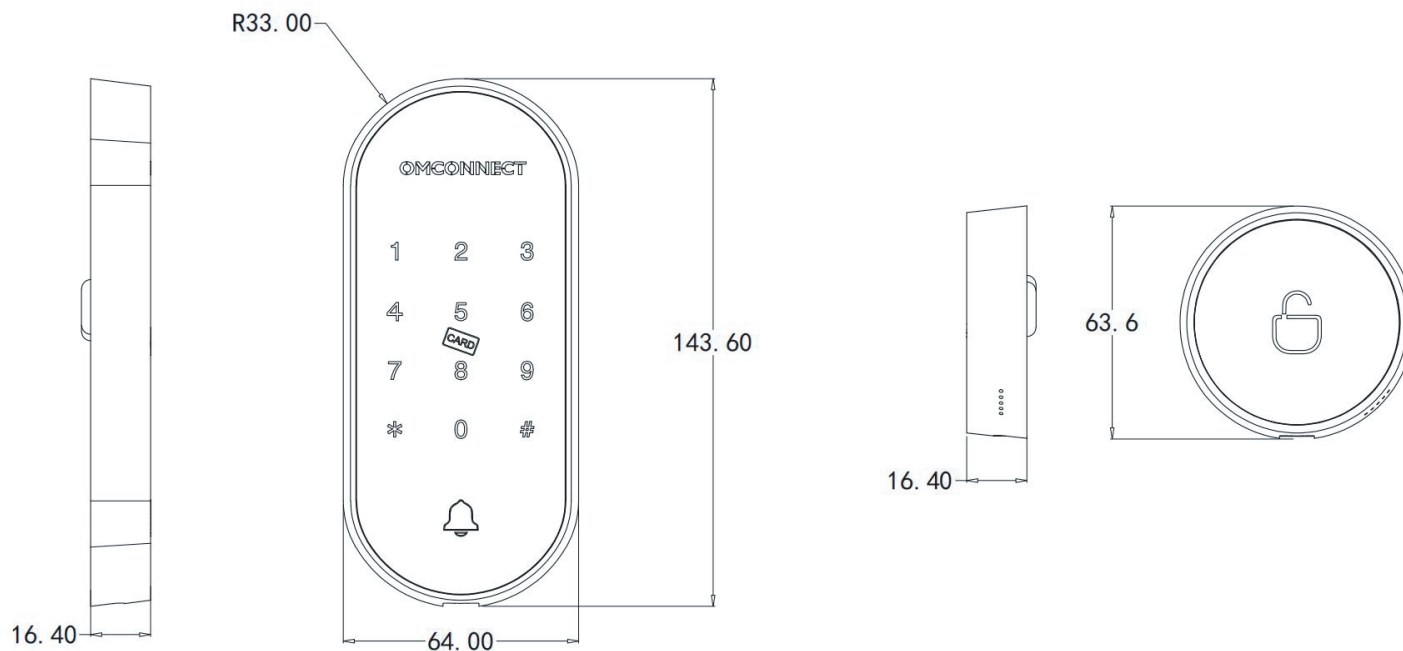


# *SMART ACCESS LOCK A6*

USER MANUAL v1.0

# Specification

<b>Model</b>	A6
<b>Material</b>	Aluminum alloy / Tempered glass panel
<b>Unlock Mechanism</b>	App, PIN Code, Card, Fingerprint(optional)
<b>Connectivity</b>	Zigbee
<b>Input</b>	AC 110V-240V 50-60Hz
<b>Output</b>	DC 12V 3A
<b>Compatibility</b>	iOS/Android
<b>User Capacity</b>	1000 cards, 100 passwords, 100 fingerprints (optional)
<b>Card Type</b>	Encrypted M1 card
<b>Card Sensing Distance</b>	> 5mm
<b>Backlight keypad</b>	Easy to operate at night



## Package Including:

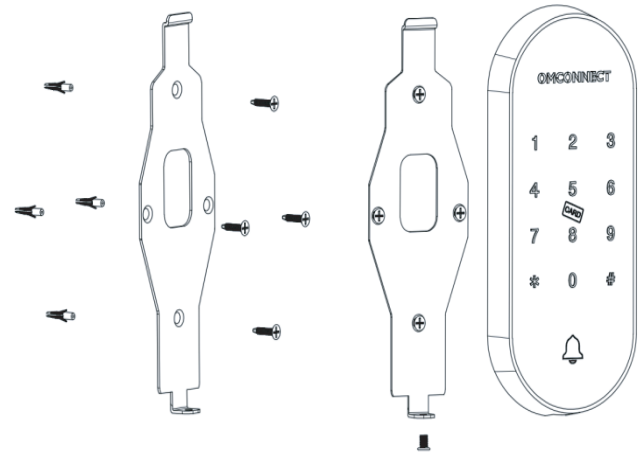
- 1 \* Access Control Keypad
- 1 \* Exit Button
- 5 \* Cards
- 1 \* DC12V 5A Power Supply (Optional)
- 1 \* 180KG Magnetic Lock (Optional)



## Installation

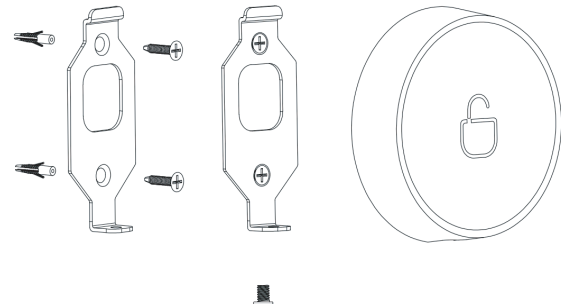
### Access Control Keypad Installation

- ☒ Drill 4 holes on the wall/door for the Self tapping screws and 1 hole for cable
- ☒ Put the rubber bungs to into the 4 holes
- ☒ Fix the bracket firmly on the wall with 4 Self tapping screws
- ☒ Fix the bracket and keypad with the one fixing bracket screw
- ☒ Thread the cable through the cable hole
- ☒ Installed successfully



### Exit Button Installation

- ☒ Drill 2 holes on the wall/door for the Self tapping screws and 1 hole for the cable
- ☒ Put the rubber bungs to into the 2 holes
- ☒ Fix the bracket firmly on the wall with 2 Self tapping screws
- ☒ Fix the bracket and Exit Button with the one fixing bracket screw
- ☒ Thread the cable through the cable hole
- ☒ Installed successfully



# APP Instructions

## Download Mobile App

☒ Scan QR Code below and download the App, you can also choose to download other App supported by Tuya.



Initial password: 123456

After powering on, you can successfully connect through the app search. The initial password becomes invalid after the device is connected to the app.

Passwords and IC cards can be added on the APP.

## Connect Zigbee Gateway :

### 1. Click "+" and then click "Add Device"

- ☒ You will see the detected device and click "add".
- ☒ Connecting, you need to wait for a few seconds to let it finish.
- ☒ Device added.

### 2. Add a access lock on the gateway page

- ☒ Press and hold the reset button of the lock to beep 11 times and the light on the touch panel starts to flash on the same time, then release it, and then the lock is ready to pair.
- ☒ Click "Add subdevice"
- ☒ Click "LED already blink"
- ☒ You will see the detected device and click the device, device will be added successfully after a few seconds.

## How to Unlock

- ☒ Long press the unlock button on the APP to unlock.

## How to Add Password

- ☒ Follow the voice prompts, enter the "password" + "#" to be set
- ☒ Enter "password" + "#" again,
- ☒ The password has been set successfully

# APP Instructions

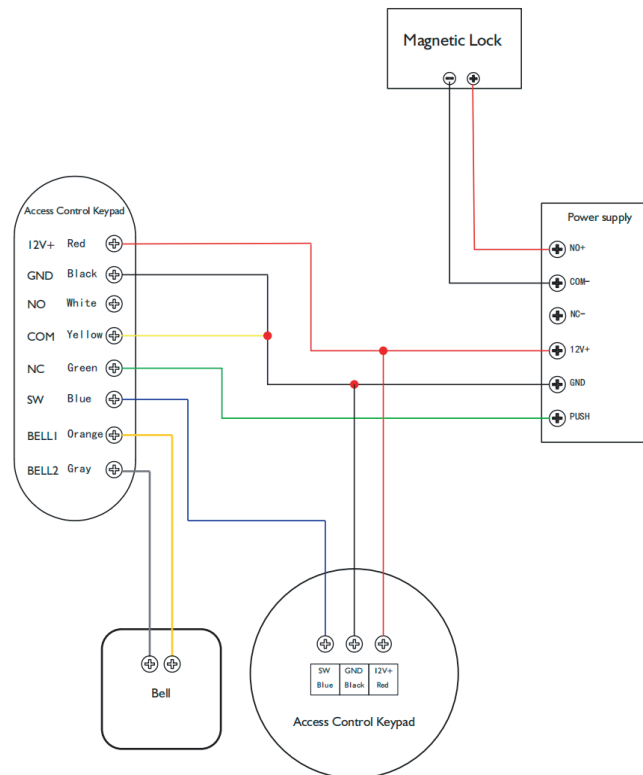
## How to Add Temporary Lock

- ☑ Click unlock ways,
- ☑ Click "+" and then choose temporary lock,
- ☑ Click "Dynamic password" and then click "get password" which is valid for 5 minutes.

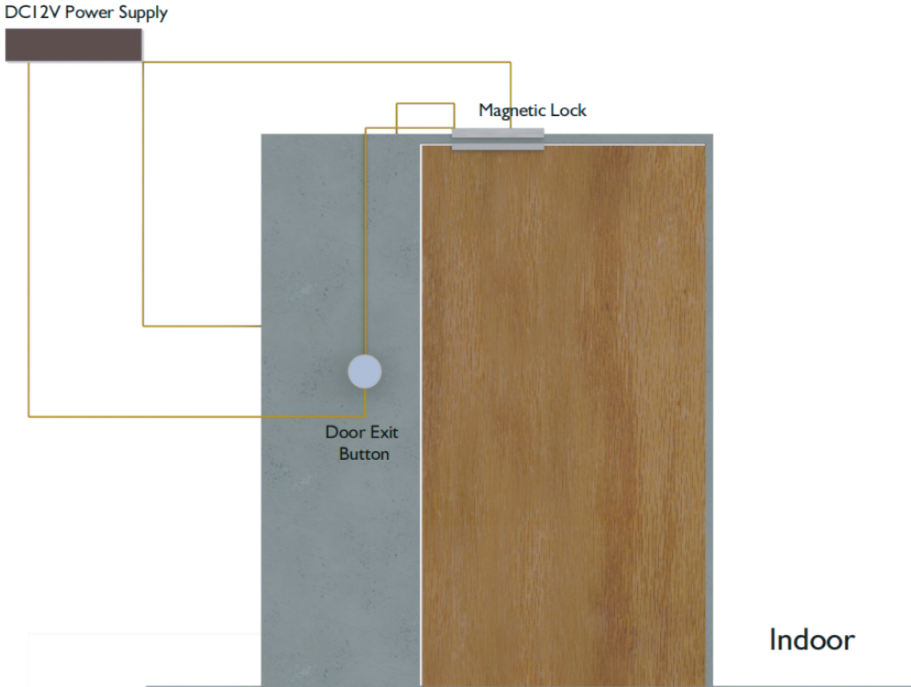
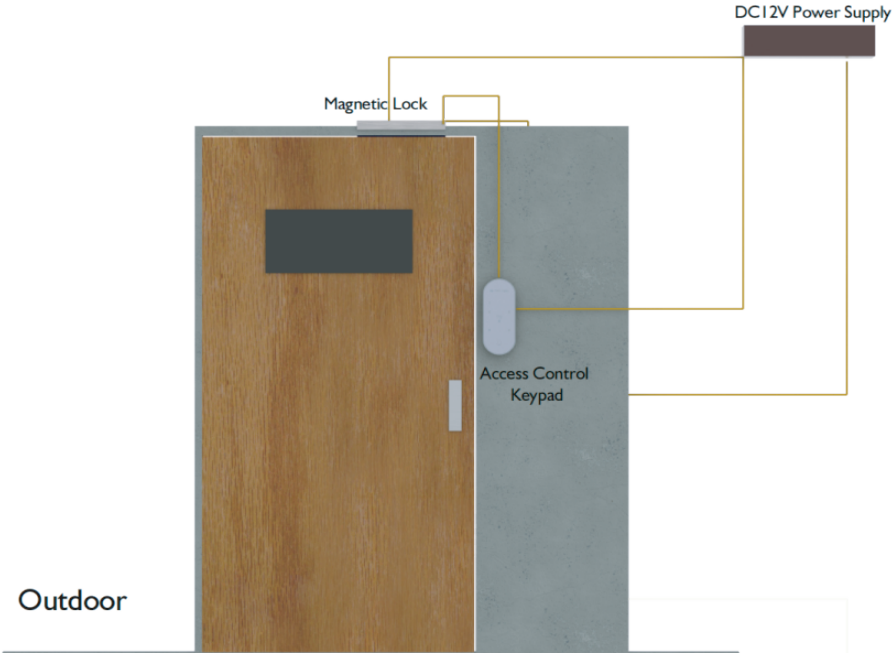
## How to Add Family Member

- ☑ Click unlock ways,
- ☑ Click "+" and then choose family lock,
- ☑ Filling the member information (name, Region, Account, Family role),
- ☑ Member Added.
- ☑ Click the member you want to set to and then add fingerprint, password or card.

## Wiring



# Wiring



# WARRANTY

## Warranty Terms and Conditions

Supplier warrants that the proper functioning of the Products and their absence of defects and defaults for a period of two years from the delivery of the Products.

The Supplier's warranty shall be valid for a period of 2 year from the delivery of the Products.

No guarantee will be payable by the Supplier if the below defect of the product

(i) is attributable to the Distributor or (ii) originates from an accident, maintenance or improper use of the Product.

# OMUARK

[WWW.OMCONNECT.COM](http://WWW.OMCONNECT.COM) / [WWW.OMUARK.COM](http://WWW.OMUARK.COM)